

### 102 Series

I.C. Socket

Pitch : 2.54mm

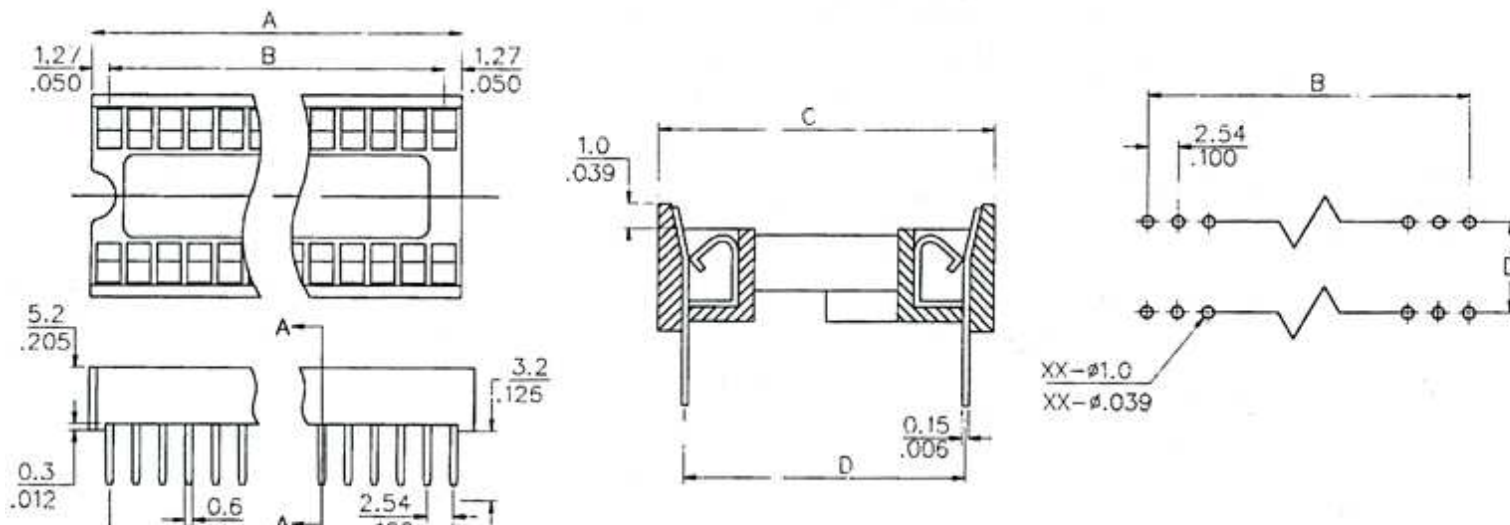
Row Space : S : 7.62mm H : 10.16mm

L : 15.24mm Y : 20.32mm

Positions : 06~64

### SPECIFICATIONS:

- Contact Resistance : 20 milliohms max.
- Current Rating : 1 Ampere
- Insulation Resistance : 1000 Megohms min.  
at 500 VDC
- Operating Temperature : - 55°C ~ + 105°C





ERROR: syntaxerror  
OFFENDING COMMAND: --nostringval--

STACK:

/Title

()

/Subject

(D:20121126121318+01'00')

/ModDate

()

/Keywords

(PDFCreator Version 0.9.5)

/Creator

(D:20121126121318+01'00')

/CreationDate

(POPAPPANIEC)

/Author

-mark-