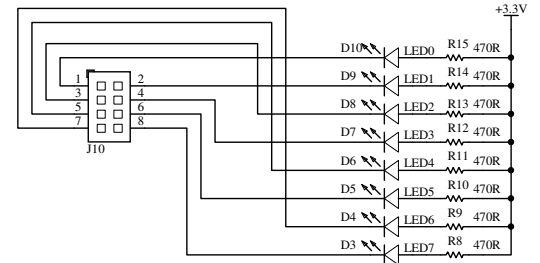
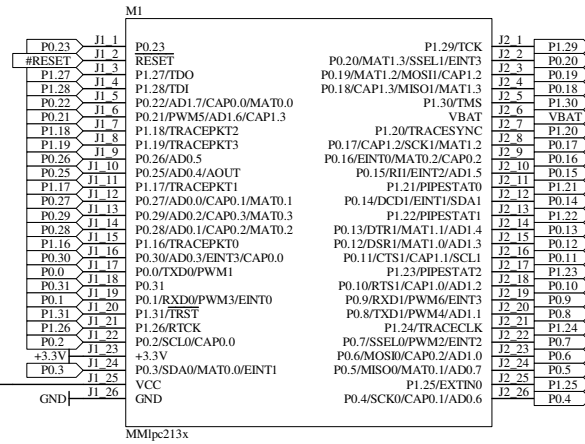
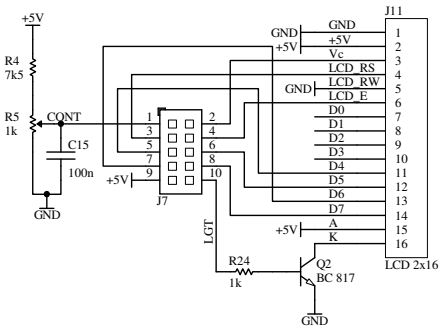
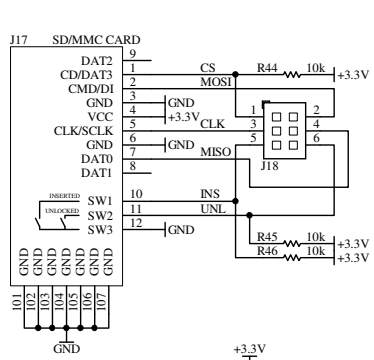
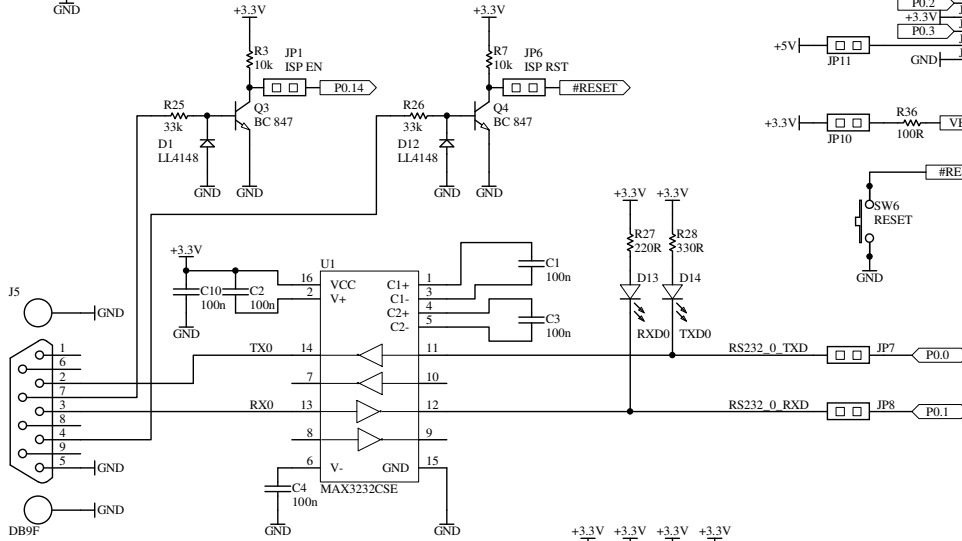


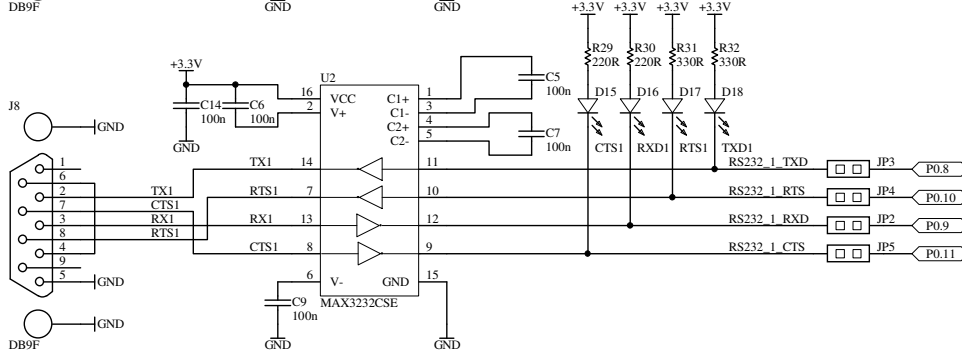
SD/MMC



RS-232 0



RS-232 1



POWER

