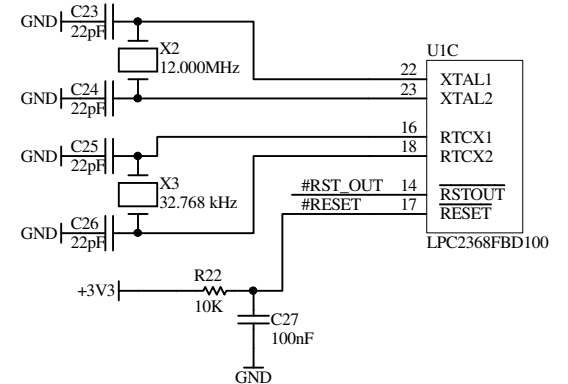
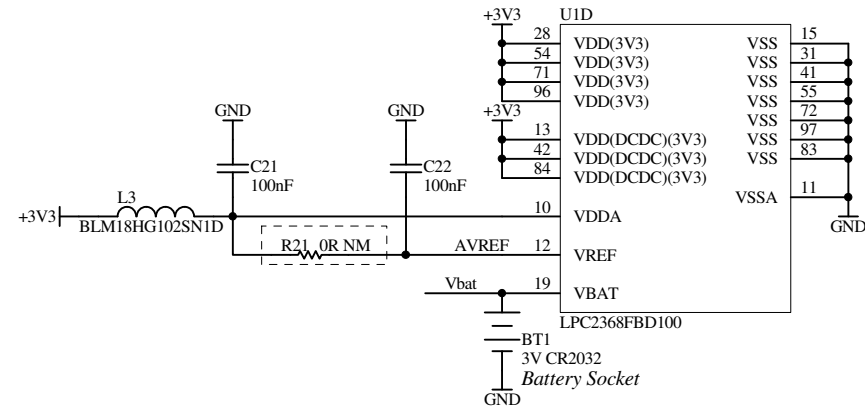
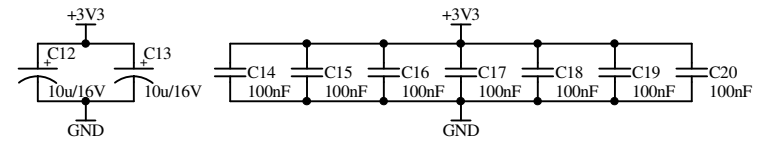
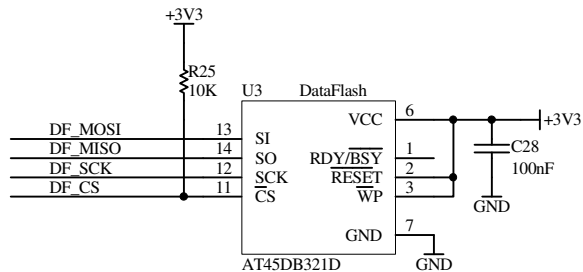
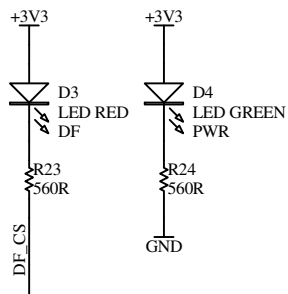


U1A	
P0.0	46
P0.1	47
P0.2	98
P0.3	99
P0.4	81
P0.5	80
P0.6	79
P0.7	78
P0.8	77
P0.9	76
P0.10	48
P0.11	49
P0.15	62
P0.16	63
P0.17	61
P0.18	60
P0.19	59
P0.20	58
P0.21	57
P0.22	56
P0.23	9
P0.24	8
P0.25	7
P0.26	6
P0.27	25
P0.28	24
P0.29/USB_D+	29
P0.30/USB_D-	30
P1.0/ENET_TXD0	95
P1.1/ENET_TXD1	94
P1.4/ENET_TX_EN	93
P1.8/ENET_CRS	92
P1.9/ENET_RXD0	91
P1.10/ENET_RXD1	90
P1.14/ENET_RX_ER	89
P1.15/ENET_REF_CLK	88
P1.16/ENET_MDC	87
P1.17/ENET_MDIO	86
P1.18	32
P1.19	33
P1.20	34
P1.21	35
P1.22	36
P1.23	37
P1.24	38
P1.25	39
P1.26	40
P1.27	43
P1.28	44
P1.29	45
P1.30	21
P1.31	20
P2[0]/PWM1[1]/TXD1/TRACECLK	75
P2[1]/PWM1[2]/RXD1/PIPESTAT0	74
P2[2]/PWM1[3]/CTS1/PIPESTAT1	73
P2[3]/PWM1[4]/DCD1/PIPESTAT2	70
P2[4]/PWM1[5]/DSR1/TRACESYNC	69
P2[5]/PWM1[6]/DTR1/TRACEPKT0	68
P2[6]/PCAP1[0]/RI1/TRACEPKT1	67
P2[7]/RD2/RTS1/TRACEPKT2	66
P2[8]/TD2/TXD2/TRACEPKT3	65
P2[9]/USB_CONNECT/RXD2/EXTIN0	64
P2[10]/EINT0	53
P2[11]/EINT1/MCIDAT1/I2STX_CLK	52
P2[12]/EINT2/MCIDAT2/I2STX_WS	51
P2[13]/EINT3/MCIDAT3/I2STX_SDA	50
P2[10]/EINT0	53
P2[11]/EINT1/MCIDAT1/I2STX_CLK	52
P2[12]/EINT2/MCIDAT2/I2STX_WS	51
P2[13]/EINT3/MCIDAT3/I2STX_SDA	50
P3[25]/MAT0[0]/PWM1[2]	27
P3[26]/MAT0[1]/PWM1[3]	26
P4[28]/MAT2[0]/TXD3	82
P4[29]/MAT2[1]/RXD3	85
P1[0]/ENET_TXD0	95
P1[1]/ENET_TXD1	94
P1[4]/ENET_TX_EN	93
P1[8]/ENET_CRS	92
P1[9]/ENET_RXD0	91
P1[10]/ENET_RXD1	90
P1[14]/ENET_RX_ER	89
P1[15]/ENET_REF_CLK	88
P1[16]/ENET_MDC	87
P1[17]/ENET_MDIO	86
P1[18]/USB_UP_LED/PWM1[1]/CAP1[0]	82
P1[19]/CAP1[1]	85
P1[20]/PWM1[2]/SCK0	
P1[21]/PWM1[3]/SSEL0	
P1[22]/MAT1[0]	
P1[23]/PWM1[4]/MISO0	
P1[24]/PWM1[5]/MOSI0	
P1[25]/MAT1[1]	
P1[26]/PWM1[6]/CAP0[0]	
P1[27]/CAP0[1]	
P1[28]/PCAP1[0]/MAT0[0]	
P1[29]/PCAP1[1]/MAT0[1]	
P1[30]/VBUS/AD0[4]	
P1[31]/SCK1/AD0[5]	

LPC2368FBD100



U1B	
TDI	2
TDO	1
TCK	5
TMS	3
TRST	4
RTCK	100
XTAL1	22
XTAL2	23
RTCX1	16
RTCX2	18
RSTOUT	14
RESET	17
RTCK	100

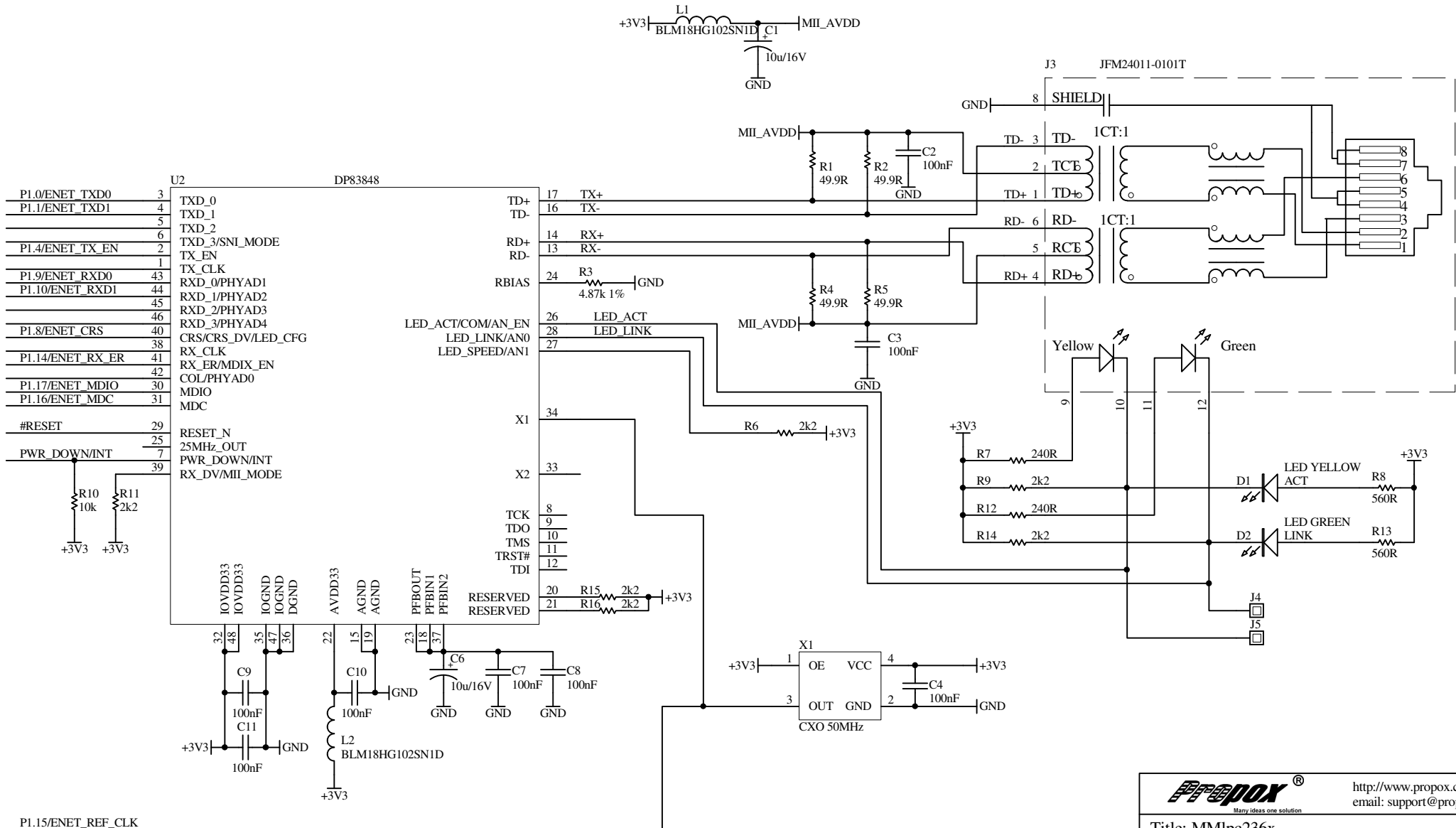
LPC2368FBD100

**PROPOX**®  
Many ideas one solution

http://www.propox.com  
email: support@propox.com

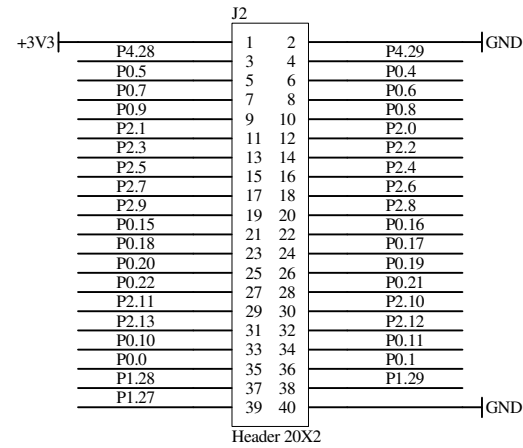
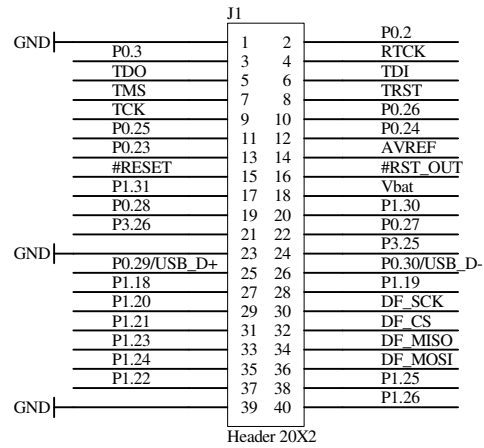
Title: MM1pc236x

Size:	File:	Rev:
Date: 17-03-2008	Sheet 1 of 3	1



P1.15/ENET\_REF\_CLK

<b>PROPPOX</b> <small>Many ideas one solution</small>		http://www.propox.com email: support@propox.com	
Title: MM1pc236x			
Size:	File:		Rev: 1
	Date: 17-03-2008		
		Sheet 2 of 3	



http://www.propox.com  
email: support@propox.com

Title: MM1pc236x

Size:	File:	Rev: 1
	Date: 17-03-2008	
Sheet 3 of 3		